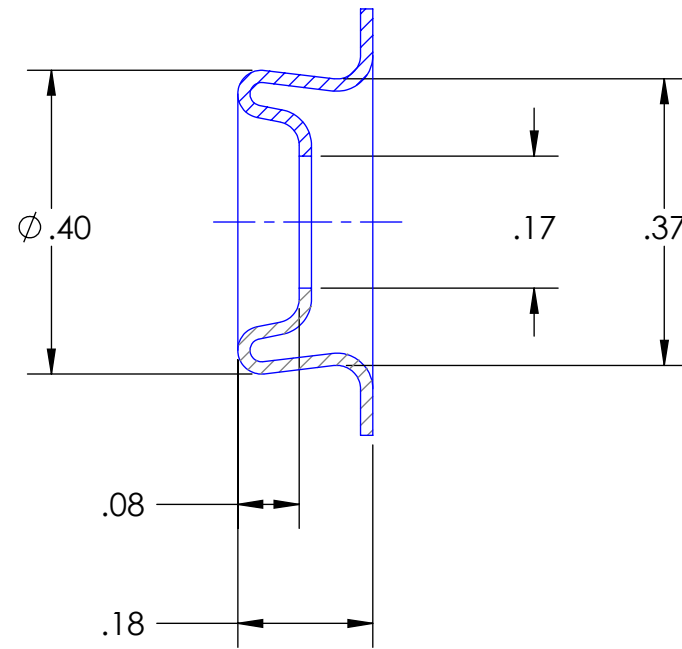
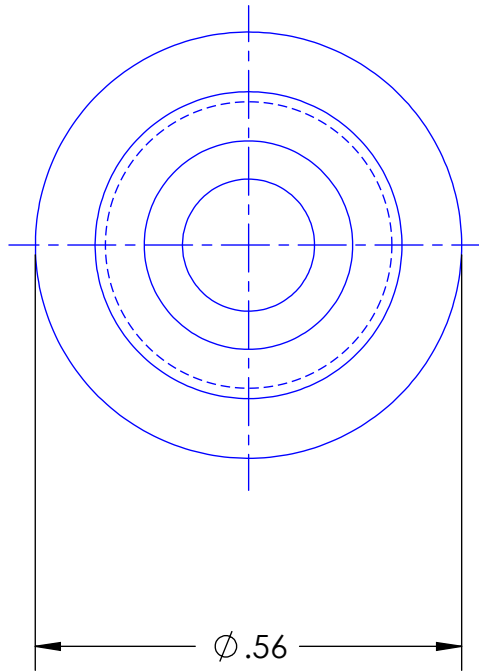


⊗	MAT'L
BS	.016 BRASS
SS	.016 STEEL
NS	.016 STAINLESS STEEL

DWG. NO. ⊗ 10370 CP



TITLE		DURABLE STUD Customer Print		MATERIAL	SEE TABLE
		DRAWN BY. JUNE MIZE	DATE 02-12-08	HARDNESS	
		CHECK BY	DATE	SCALE 4:1	
		DWG. NO. ⊗ 10370		SHEET NO. CP	