

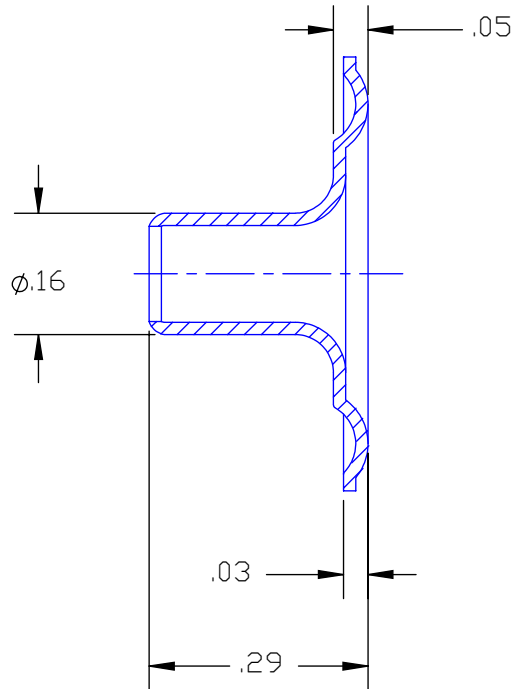
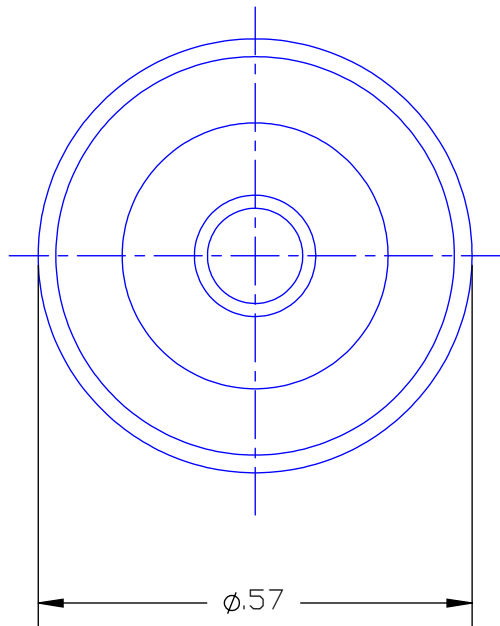




DWG. NO.  10412 SLS

	MAT'L	PART NO	LOGO
BS	.016 BRASS	10412--	1759
NS	.016 STAINLESS	10412--	1759
BS	.016 BRASS	10412-W	PLAIN
SS	.016 STEEL	10412-W	PLAIN



TITLE		DURABLE EYELET Customer Print		MATERIAL	SEE TABLE
 FASTENERS	DRAWN BY.	DATE	8-16-93	HARDNESS	N/A
	J.S.B.			SCALE	4:1
	CHECK BY	DATE	DWG. NO.	 10412	SHEET NO.