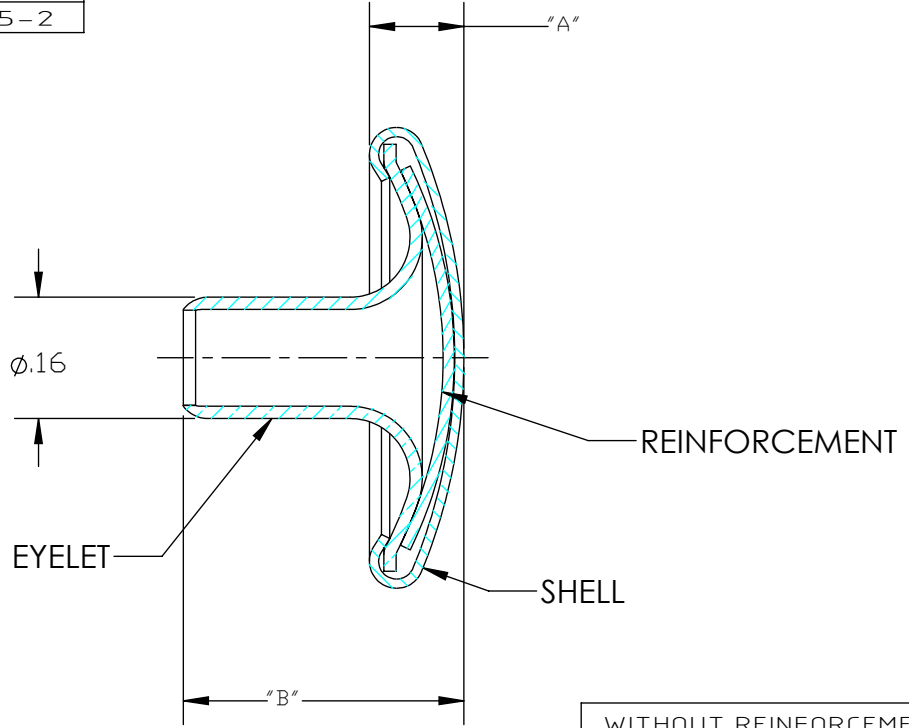
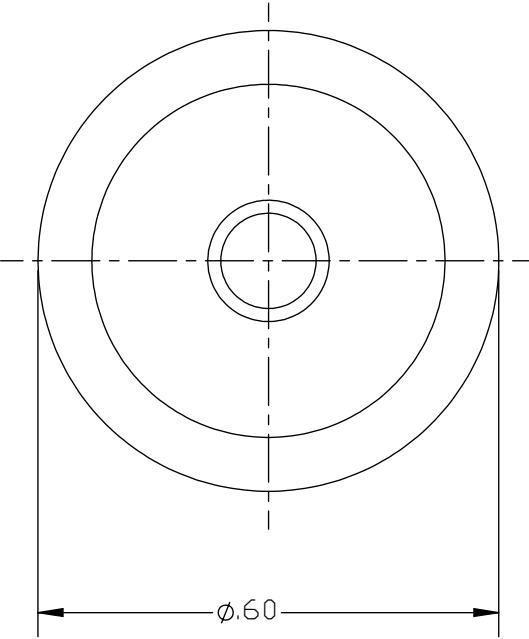


DWG. NO.
10128 SLS

⊗	SHELL	EYELET	REINFORCEMENT
XS	SS10125-1	SS10128-4	WS10125-2
XS	SS10125-1	SS10128-4	NONE
X2	BS10128-1	BS10128-3	NONE
X2	BS10125-1	BS10128-3	WS10125-2
XN	NS10128-1	NS10128-4	WS10125-2
X8	BS10128-1	NS10128-4	WS10125-2



	WITHOUT REINFORCEMENT		WITH REINFORCEMENT	
	SUNKEN OR PLAIN LOGO	RAISED LOGO	SUNKEN OR PLAIN LOGO	RAISED LOGO
DIM. "A"	.12	.13	.12	.12
DIM. "B"	.28	.29	.31	.31

GAUGE No.	SHEET No.	MASTER No.	SHEET No.
-----------	-----------	------------	-----------

TITLE	MATERIAL
DURABLE BUTTON-24 /	-

	DRAWN BY. J.S.B.	DATE 2-13-94	HARDNESS -
	CHECK BY	DATE	SCALE 4:1
	DWG. NO. 10128 SLS		SHEET NO.